

RU

GB

INSTALLATION MANUAL
SKID PLATE FOR ENGINE BAY AND TRANSMISSION CASE



UAZ Patriot 150 . 2,7 AT, 2020

2020- 

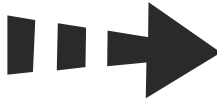
27.4666/27.4667

18/11/20

1/6



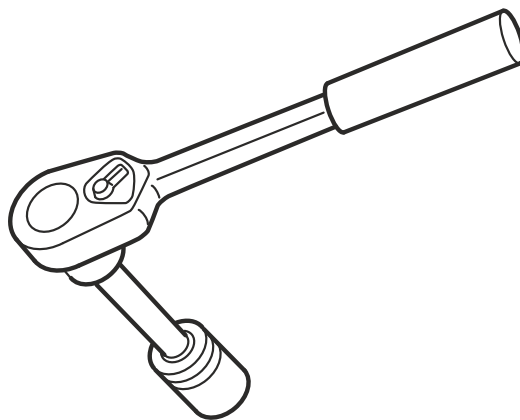
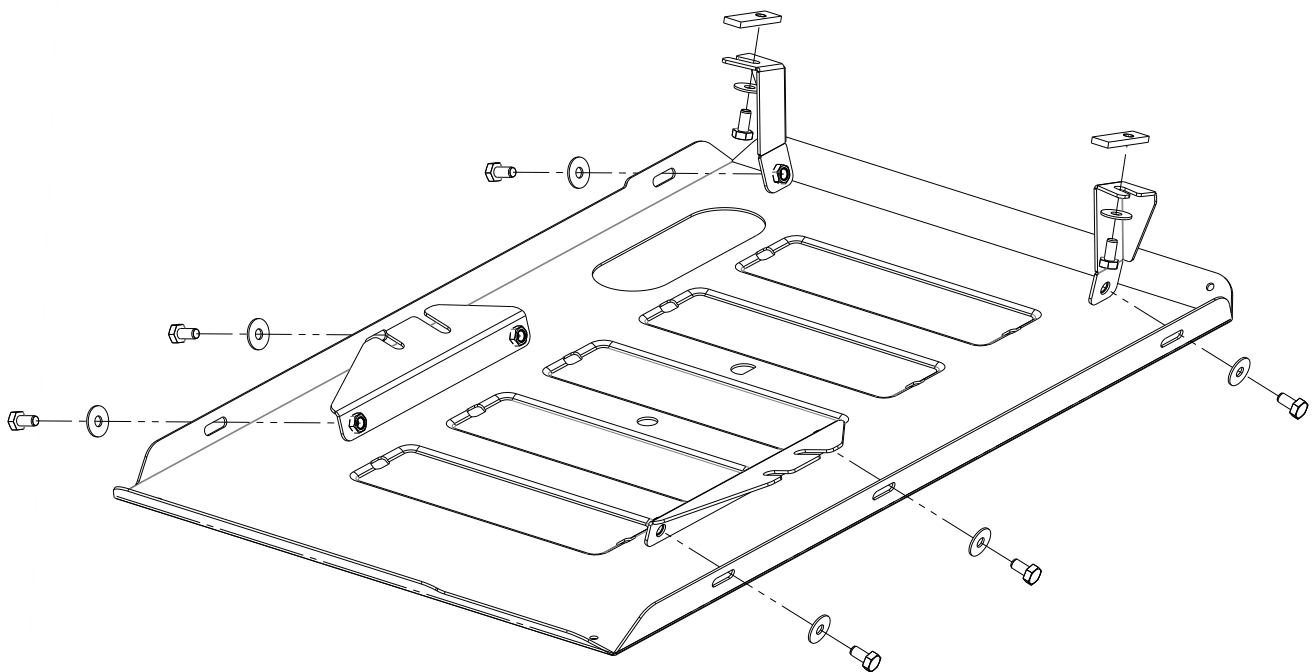
(RU) /
(GB) Location/Position Arrow

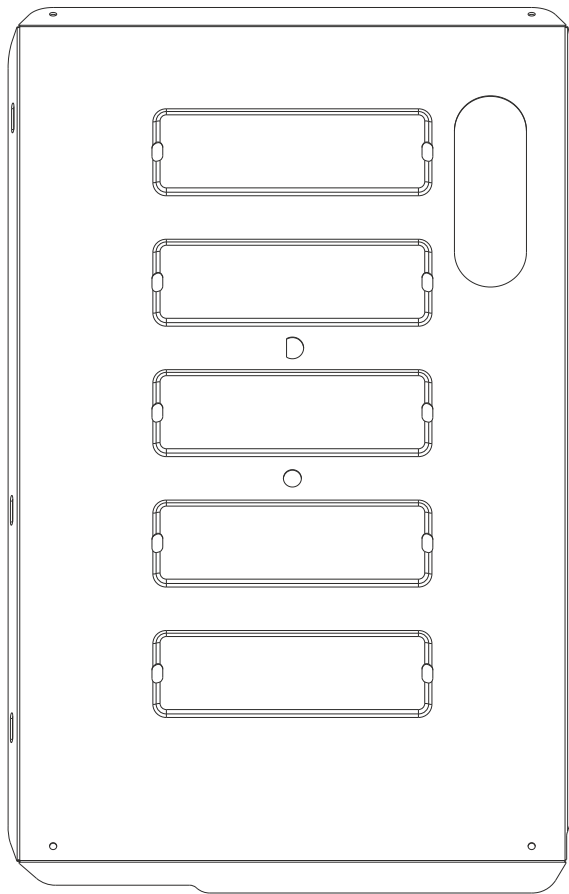


(RU)
(GB) Movement Arrow

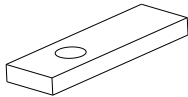


(RU)
(GB) Screw Arrow



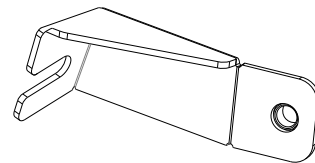
A

1X

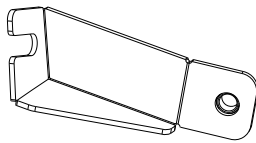
B

3003

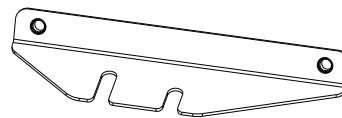
2X



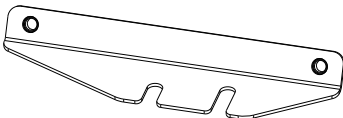
1X

D

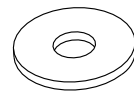
1X

E

1X

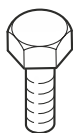
F

1X

G

Ø10

8X

H

M10 20

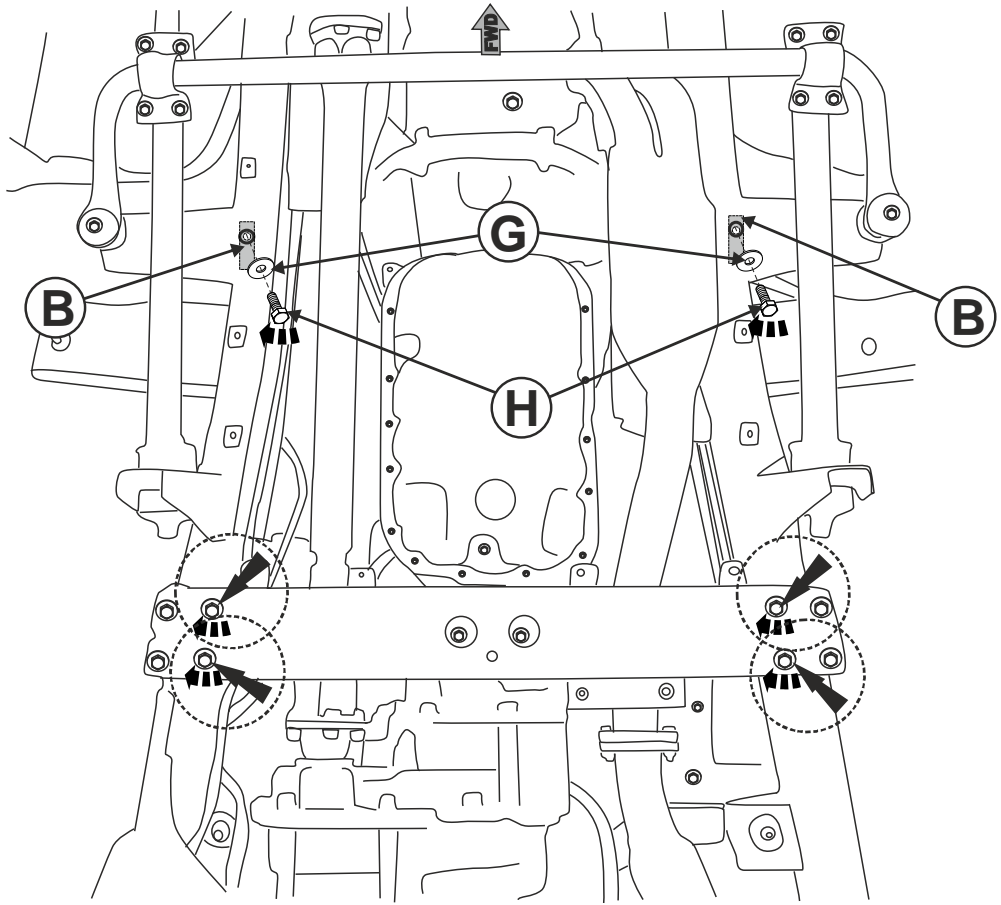
8X



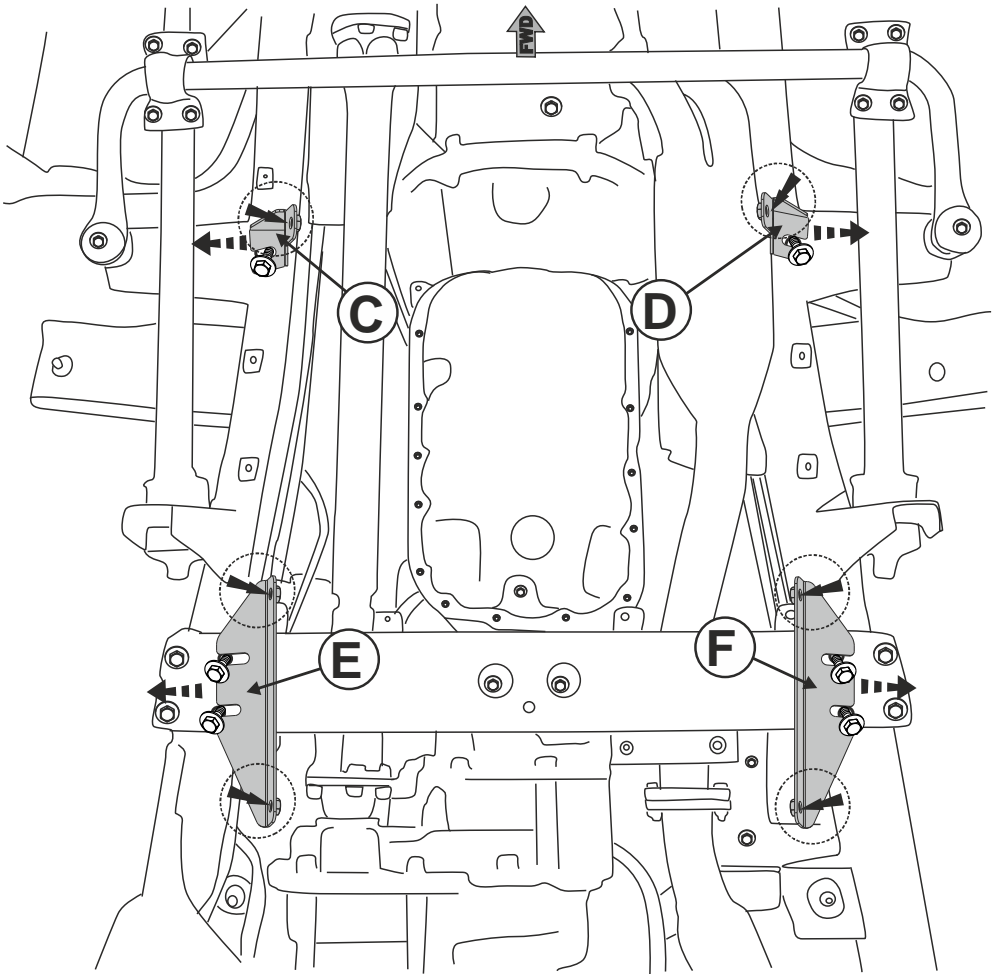
27.4666/27.4667

18/11/20

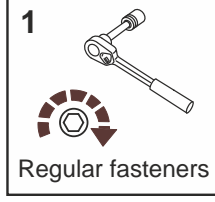
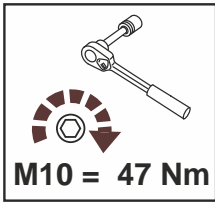
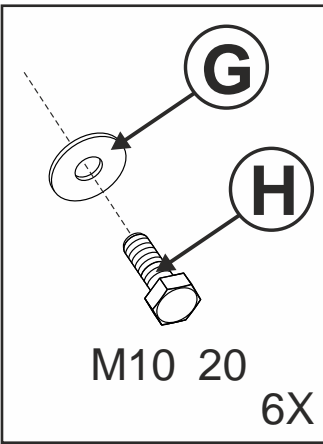
3/6



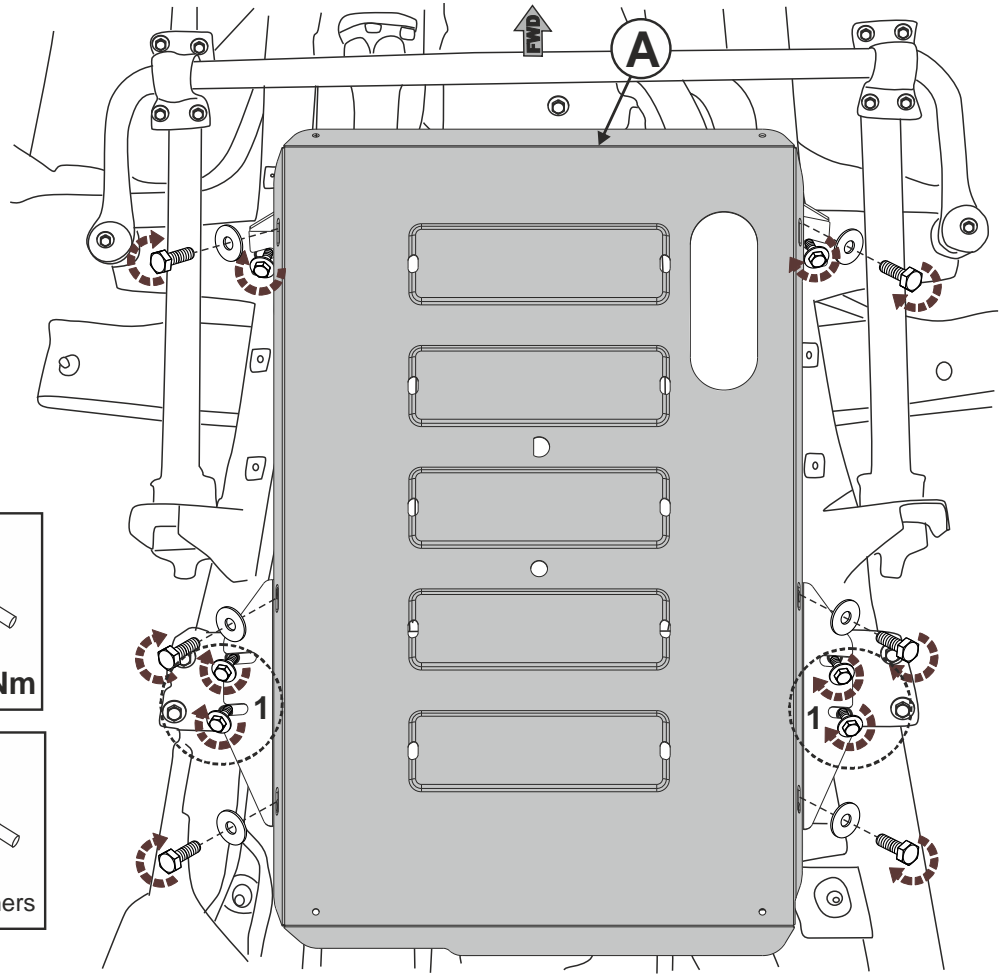
1



2



3



4

