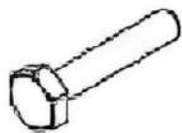


M8x40 1x



M12x1,25x30 - 4x
M12x30 - 4x
M12x70 - 2x (A)
M12x90 - 2x (I)
M12x19 - 4x (C)
M12x20 - 3x (V)
M12x25 - 1x (V)



SMB - 1x



M12 - 6x (A, II)
M12 - 4x (C, V)



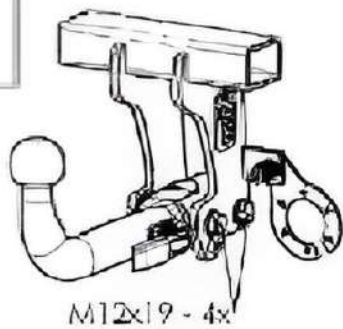
PLB - 2x

PP12 - 12x (A, II)
PP12 - 14x (C, V)



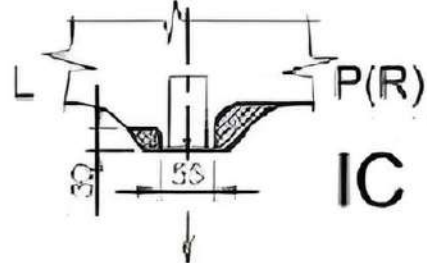
PR14 - 1x

C



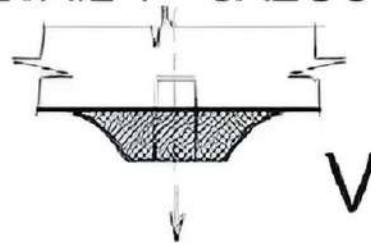
M12x19 - 4x

DETAIL JAECOO 7



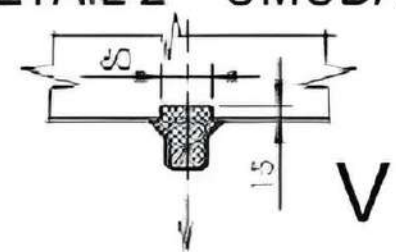
IC

DETAIL 1 JAECOO 7



V

DETAIL 2 OMODA 5



V

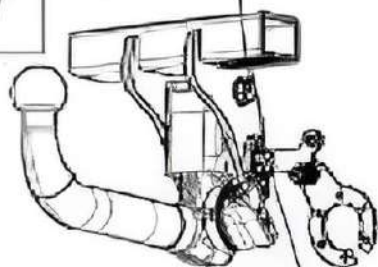
I



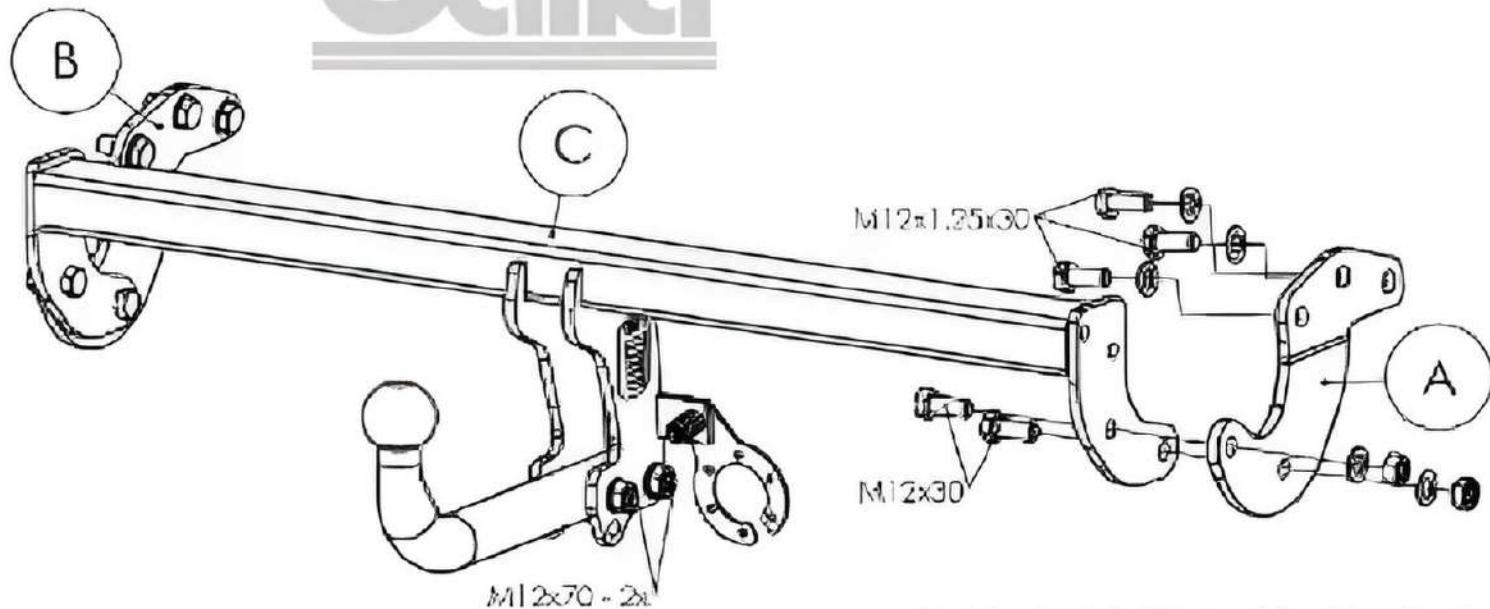
M12x90 (10,9) - 2x
110 Nm

V

M12x20 - 3x



M12x25 - 1x



M12x1,25x30

M12x30

M12x70 - 2x

OMODA 5 / C5 / E5, OMODA OMODA 5,
JAECOO 7 / J7 / E7, JAECOO JAECOO 7,
JAECOO 5 / J5 / E5, JAECOO JAECOO 5
Kod: 00766(A,C,V) 5.3.2026

IC 400 02

A